

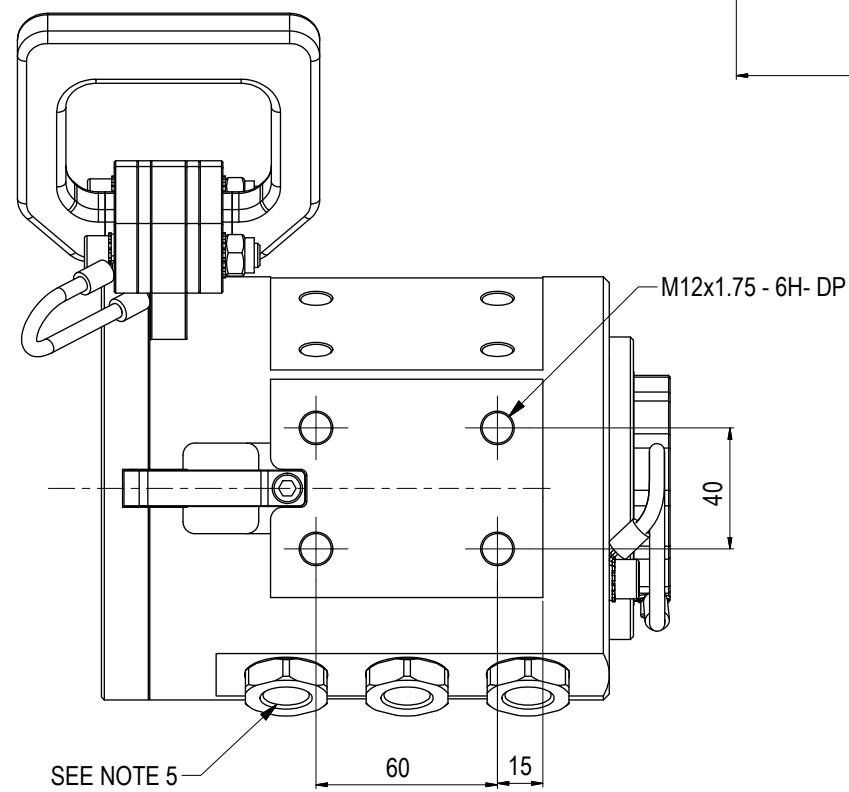
NOTE: 1
 DESIGN CODE:
 NS-EN 13445

NOTE: 2
 TECHNICAL CLASSIFICATION:
 Article Type: 003-Valve Stabs
 Main Group: 3.04. Ø60-Valvestab
 Intermediate Group: 3.34.02. Receptacle
 Sub Group: 3.34.75.3. Triple

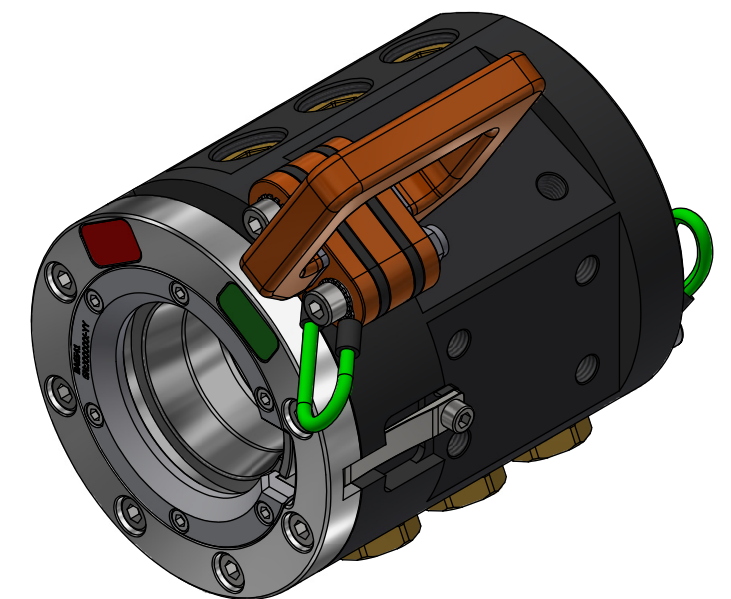
NOTE: 3
 INTERFACE INFORMATION:
 Pressure Rating Bar: 250
 Material: Intervention
 Weight: 8,8 kg
 Volume: 1,99 dm³
 Surface Area: 4435 cm²
 Hydraulic: 2x3/4" BSP - 1x1/2" BSP
 Mechanical: N/A
 Electrical: N/A
 Com. & Protocol: N/A

NOTE: 4
 OPERATION & MAINTENANCE INFORMATION:
 600134-TD-0004

NOTE: 5
 ADDITIONAL INFORMATION:
 TO BE PLUGGED WITH 3/8" BSP IF COMPENSATOR
 PORTS ARE NOTE USED.



VIEW A



05	29.5.2024	9-IFU (Issued for Use)		WTJ	HNJ	WTJ
04	20.2.2024	7-IFC (Issued for Construction)		WTJ	LGH	WTJ
03	8.2.2024	7-IFC (Issued for Construction)		WTJ	LGH	WTJ
02	6.2.2024	7-IFC (Issued for Construction)		WTJ	LGH	WTJ
Rev.	Date	Reason for issue	Revision change	Made	Chk'd	Appr.



Dwg Scale:	NTS
Dwg Proj:	
Dwg Format:	A3

Drawing title:	Ø60 TP VStab Rec 250Bar Interv Man BSP 3/4-1/2 CompPort	
	WeLi	
Drawing number:	BA9549	Rev: 05